



GENERAL:

- All SKITCH products must be properly assembled and securely installed to your vehicle.
- SKITCH products should only be installed on load beds that have bed lining.
- By installing SKITCH products to your vehicle, you assume all liability.
- SKITCH cross bars must only be fitted onto SKITCH bracket kits.
- The SKITCH products must not be modified in any way.
- The manual/instructions should be retained for future reference to ensure any other users of the SKITCH products are familiar with its contents.
- SKITCH cannot guarantee that all tonneau covers will fit perfectly with the SKITCH products due to the many variations in sizes.

FITTING:

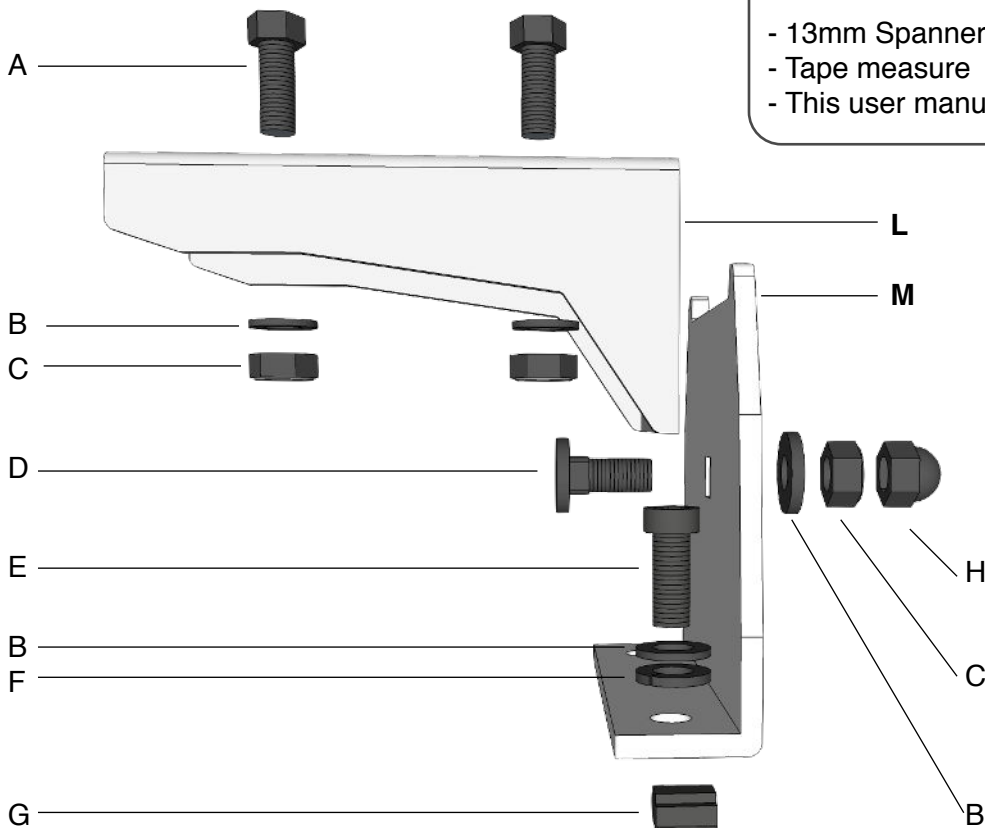
- If using the SKITCH products with a tonneau cover, remove the tonneau cover before installation as the tonneau cover's frame sits on top of the SKITCH brackets.
- We recommend that the foam weather strip used on the tonneau cover's rails is trimmed away where it comes into contact with the SKITCH Main brackets, ensuring the rails sit flush on the load bed rails. (this can be replaced by a suitable thinner foam if needed).
- If the tonneau cover frame has a small lip on the inside edge, this lip must be removed where it comes into contact with the SKITCH brackets.
- Confirm the placement needed for the accessories you decide to use on your SKITCH cross bars, before securing the SKITCH cross bars.
- When using SKITCH cross bars: the wider the distance between the bars, the better the stability will be. (We suggest a minimum of 700mm between the cross bars).
- Never over tighten a bolt or nut as this can cause damage to the SKITCH product or to your vehicle.

SAFETY:

- Adjust your driving speed according to road conditions and check your fastenings regularly.
- SKITCH cross bars hold up to 120kg per pair, if properly installed with SKITCH brackets and the weight is evenly distributed across both cross bars.
- Every time the SKITCH products are used, check that the SKITCH products are securely fitted and then re-check at regular intervals.
- The maximum load as specified above, applies to vehicles in motion as well as to parked vehicles.
- The vehicle driver is responsible for ensuring that the racks are in good condition and that the racks and load are securely fastened (Even if fitted by a third party).

Tools needed:

- 13mm Spanner
- Tape measure
- This user manual



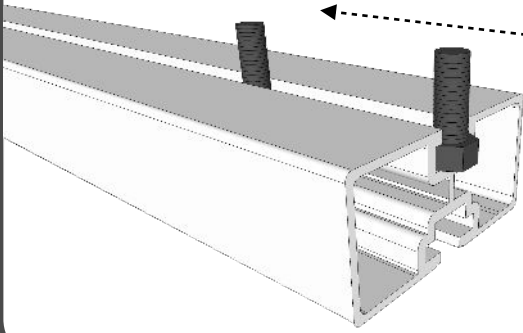
A	20mm HEX BOLT	8
B	16mm WASHER	20
C	NYLOC NUT	12
D	20mm CAP SQ BOLT	4
E	20mm BUTTON HEAD	8
F	SPRING WASHER	8
G	T NUT	8

H	NUT COVER CAP	4
L	TOP BRACKET	4
M	BOTTOM BRACKET	4
	HEX KEY/ ALLEN KEY	1

(4) 20mm washers are supplied for use on the top channel of your cross bars, as per your cross bar manual.

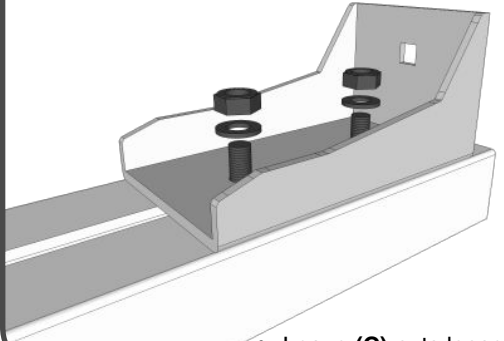
1

- Slot two **(A)** bolts into the bottom T slot on either end of the cross bar.



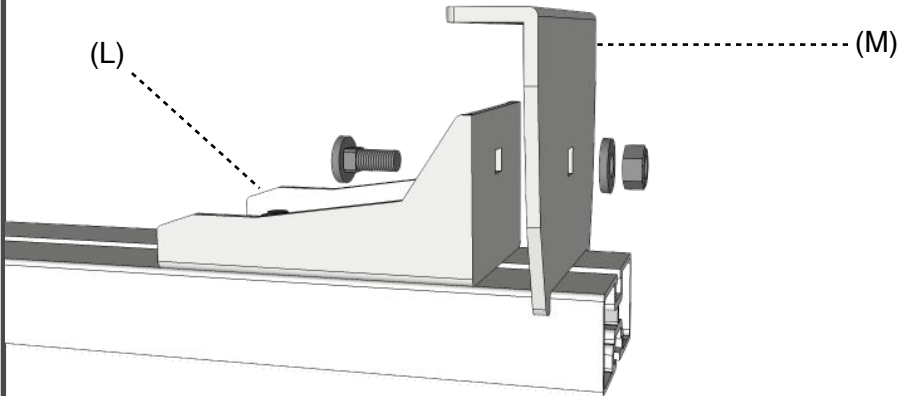
2

- Attach **(L)** top brackets using **(B)** washers & **(C)** Nyloc nuts.



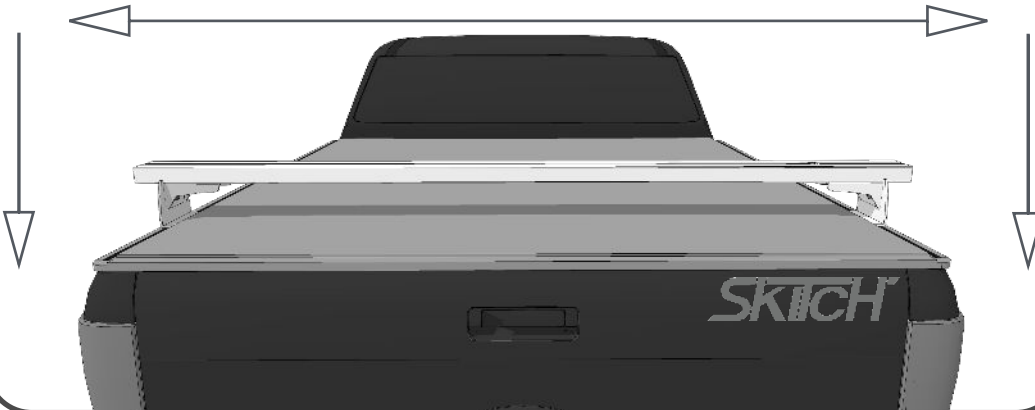
3

- Attach **(M)** main brackets to **(L)** top brackets using **(B)** washers, **(C)** Nyloc nuts & **(D)** 20mm cap SQ bolts.

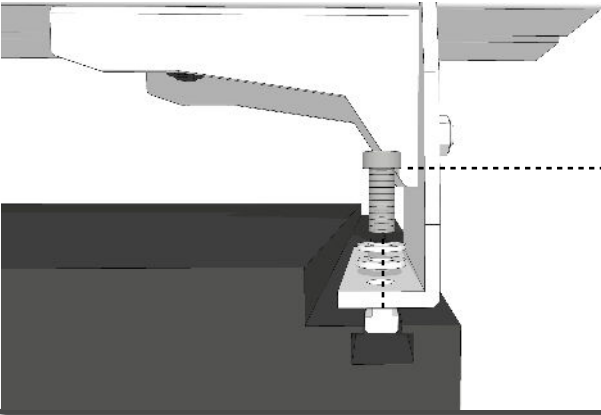


4

- Place setup cross bars on the Securi lid rails.
- Adjust the brackets until the holes on the **(M)** main brackets line up with the channel.



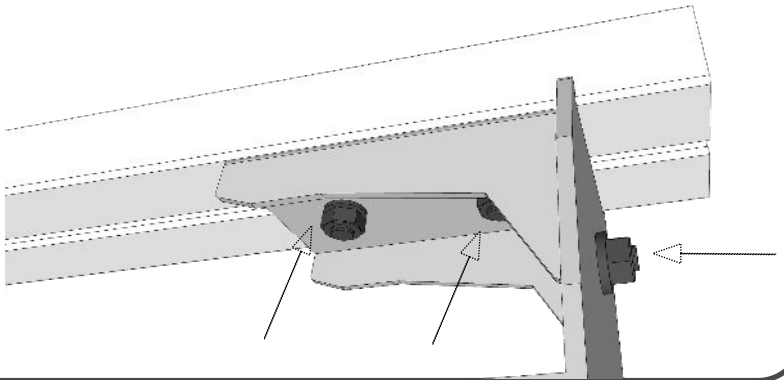
5



- Slot **(G)** T nuts into the Securi lid channel.
- Attach the **(M)** main bracket to the Securi lid channel as per the render.
- In order as per page 1 of this manual.

6

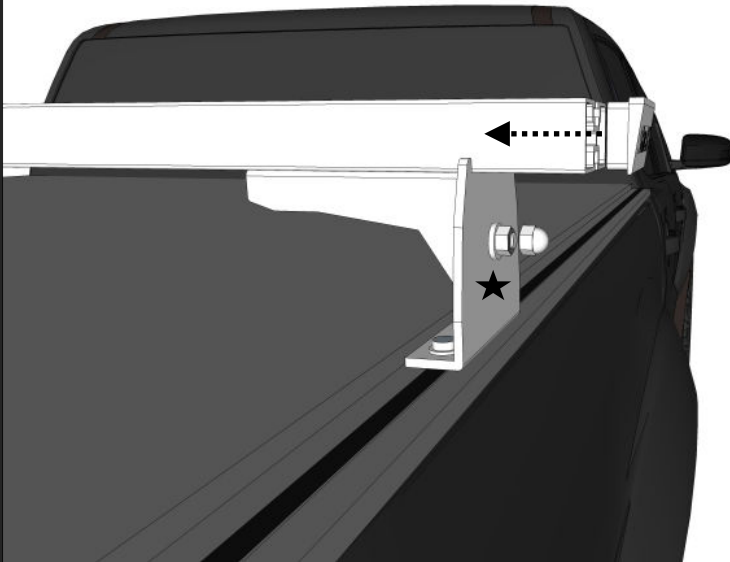
- Make sure the **(L)** top bracket, cross bar & **(M)** main bracket are all square.
- Securely tighten all three top bracket Nyloc nuts.



SKITCH

7

- Make sure every bolt and nut is secure.
- Now you can install the SKITCH end caps and **(H)** nut cover cap.



- Once the end cap is installed, it will never have to be removed as the cross bars have a slot point provided in order to slot in bolts or T nuts for accessories.
- Should it be necessary for the cross bars to be removed, simply remove the main side bolt as indicated by a star★ in the above diagram. (Main brackets will remain on the car).

Share your SKITCH setups and join the SKITCH community:



SKITCHSA



SKITCHSA

WARRANTY

This warranty is effective whilst the original purchaser owns the product. The warranty terminates when the original purchaser sells or transfers the product to another person. All SKITCH products being returned for warranty, must include a copy of the original invoice. Each SKITCH manufactured product must be installed following SKITCH'S recommended installation procedures. The warranty covers defects in material and/or workmanship for a one year period from date of purchase. Subject to the limitations and exclusions described in this warranty, SKITCH remedies defects in materials or workmanship during the warranty period, by repairing or replacing, at its discretion, the defective component(s) without charge for parts or labour. In addition, SKITCH may elect, at its discretion, not to repair or replace a defective product but rather to issue a refund to the purchaser. No warranty is given for defects caused by normal wear and tear, cosmetic rust, scratches, accidents, unlawful vehicle operation, or modification of, or any types of repair of, a SKITCH manufactured product. The SKITCH warranty does not include the powder coated finish. No warranty is given for defects resulting from conditions beyond SKITCH's control including, but not limited to: overloading, misuse or failure to assemble, install or use of the product in accordance with SKITCH's written instructions or guidelines included with the product or made available to the purchaser. Nor does it cover damage to the user's vehicle, cargo, or to any person or property. Other damage not covered is damage caused by airlines or other transit damage (such as pressure damage, tears, cuts etc.). Damage claims in transit cases should be filed against the carrier. The purchaser will be responsible for the cost of returning the component(s)/product(s) and the proof of purchase back to the place where the product was purchased.

DISCLAIMER OF LIABILITY

In no event will SKITCH assume liability for any persons, damage to moveable or immovable property, loss of profit, or any other loss or damage caused by improper mounting or use of the SKITCH products. This includes, but is not limited to, mounting or use in conflict with assembly instructions or any other instructions given, in writing or verbally by SKITCH or a SKITCH dealer.